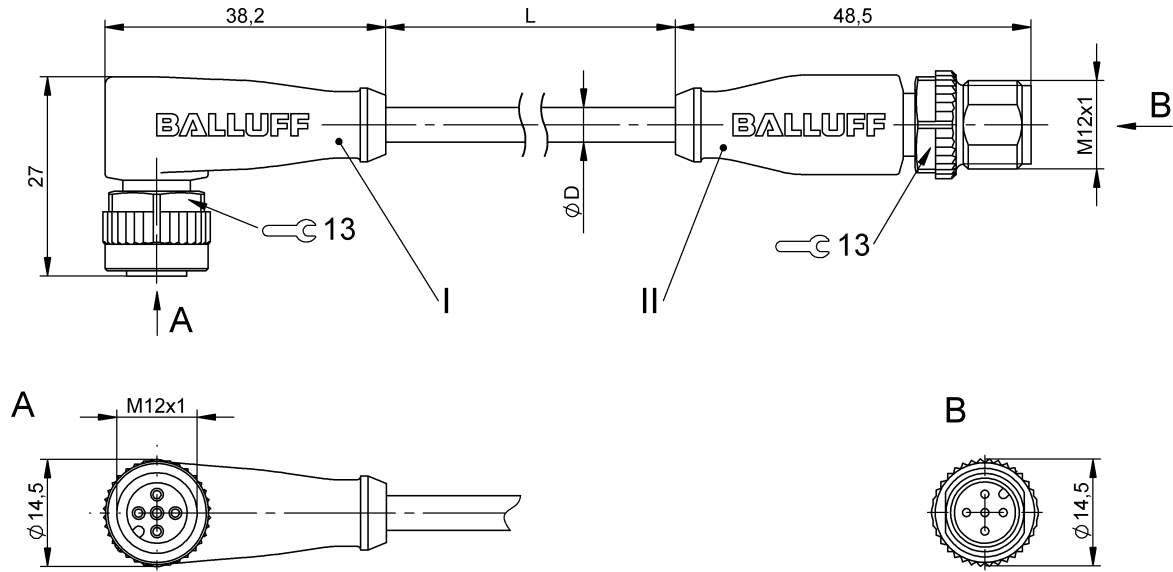


Double-Ended Cordsets  
**BCC M425-M415-3A-692-PW0534-010**  
**Order Code: BCC0EAL**

**BALLUFF**



**Basic features**

|                     |                     |
|---------------------|---------------------|
| Application         | Welding area        |
| Approval/Conformity | CE<br>cULus<br>WEEE |

**Display/Operation**

|                            |              |
|----------------------------|--------------|
| Function indicator (Pin 2) | LED red      |
| Function indicator (Pin 4) | LED yellow   |
| Power indicator            | LED green/no |

**Electrical connection**

|                                     |  |
|-------------------------------------|--|
| Bending radius min., fixed cable    | 5 x D  |
| Bending radius min., flexible cable | 10 x D   |
| Cable                               | PUR welding spark resistant<br>black, 1 m, drag chain compatible |
| Cable diameter D                    | 4.70 mm ±0.10 mm   |
| Cable, bending cycles min.          | 10 mil.  |
| Cable, torsion stress               | ±360°/m  |
| Conductor cross-section             | 0.34 mm <sup>2</sup>   |
| Connection 1                        | M12x1-Female, angled, 5-pin, A-coded                             |
| Connection 2                        | M12x1-Male, straight, 5-pin, A-coded                             |
| Number of conductors                | 5  |
| System                              | Molded/Molded  |

**Electrical data**

|                         |        |
|-------------------------|--------|
| Operating voltage $U_b$ | 30 VDC |
| Rated current (40 °C)   | 4.0 A  |

**Environmental conditions**

|   |                                     |
|---|-------------------------------------|
| Cable temperature UL max., fixed routing    | 80 °C                               |
| Cable temperature UL max., flexible routing | 80 °C                               |
| Cable temperature, drag chain               | -25...60 °C                         |
| Cable temperature, fixed routing            | -50...90 °C                         |
| Cable temperature, flexible routing         | -25...90 °C                         |
| IP rating                                   | IP67, IP68, IP69K/IP67, IP68, IP69K |

**Interface**

|                  |                      |
|------------------|----------------------|
| Switching output | PNP NO/NC antivalent |
|------------------|----------------------|

**Material**

|                             |                             |
|-----------------------------|-----------------------------|
| Cable jacket material, note | welding spark resistant     |
| Cable jacket, material      | PUR                         |
| Material contact carrier    | PUR/PUR                     |
| Material contacts           | Bronze/Brass                |
| Material cover nut          | Die-cast zinc/Die-cast zinc |
| Material grip               | PUR/PUR                     |

Double-Ended Cordsets  
**BCC M425-M415-3A-692-PW0534-010**  
**Order Code: BCC0EAL**



**Mechanical data**

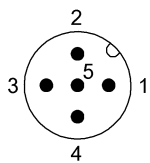
|                               |                       |
|-------------------------------|-----------------------|
| Acceleration max., drag chain | 5 m/s <sup>2</sup>    |
| Cable jacket, color           | black                 |
| Cable length L                | 1.00 m                |
| Cable properties              | drag chain compatible |

|   |               |
|---|---------------|
| Horizontal travel permitted, drag chain | 5 m           |
| Tightening torque pigtail               | 0.6 Nm/0.6 Nm |
| Traverse speed max., drag chain         | 200 m/min     |
| Vertical travel permitted, drag chain   | 2 m           |

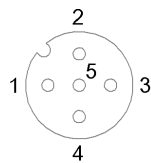
**Remarks**

Cable construction acc. to UL-AWM Style 20549  
 Halogen-free per DIN VDE 0472 Part 815  
 Silicone-free  
 Flame resistance per UL FT2  
 Enclosure rating per IEC 60529 or 20653, only in screwed state with the associated mating piece.

**Connector Drawings**

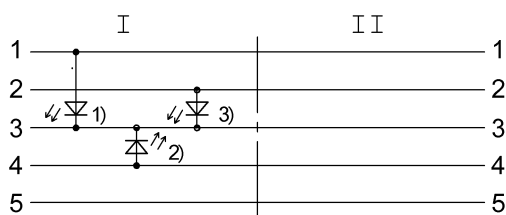


- II
- PIN 1: brown
  - PIN 2: white
  - PIN 3: blue
  - PIN 4: black
  - PIN 5: green/yellow



- I
- PIN 1: brown
  - PIN 2: white
  - PIN 3: blue
  - PIN 4: black
  - PIN 5: green/yellow

**Wiring Diagrams**



- 1) Green LED = Power
- 2) Yellow LED = Function
- 3) LED red = Function